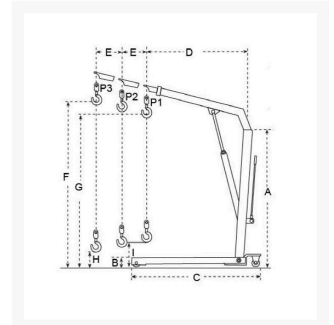


Foldable Workshop Crane 1000kg

Product Images



AS319 Foldable Workshop Crane 1000kg

Capacity at Position (kg)	P1	1000
	P2	800
	P3	700
Dimensions (mm)	A	1597
	B	90
	C	1749
	D	1211
	E	150
	F	2450
	G	2920
	H	280
	I	280
Overall Width	(mm)	2100
Net Weight	(kg)	111

Description

This 1000kg folding hydraulic crane is suitable for lifting heavy items from vehicles and machinery and to move them safely around your workshop. Ideally suited for multiple trades including mechanical and maintenance repair workshops.

- Chrome-plated lifting piston and pump piston. Relief valve to prevent overload.
- 360° swivel operating handle.
- Forged heavy-duty swivel hook.

- Foldable design for easy storage.
- Load capacity 1000kg
- Max. Lifting Height at Position P3 2500mm
- Capacity at Position P1 1000kg
- Capacity at Position P2 800kg
- Capacity at Position P3 700kg
- Overall Width 1120mm
- Net Weight 115kg

Mecanit is a leading European brand providing high-quality material handling solutions to the French, German and greater European markets. Bronson Safety is proud to be the exclusive agent for Mecanit in the Australian market.

Additional Information

Brand	Mecanit
-------	---------